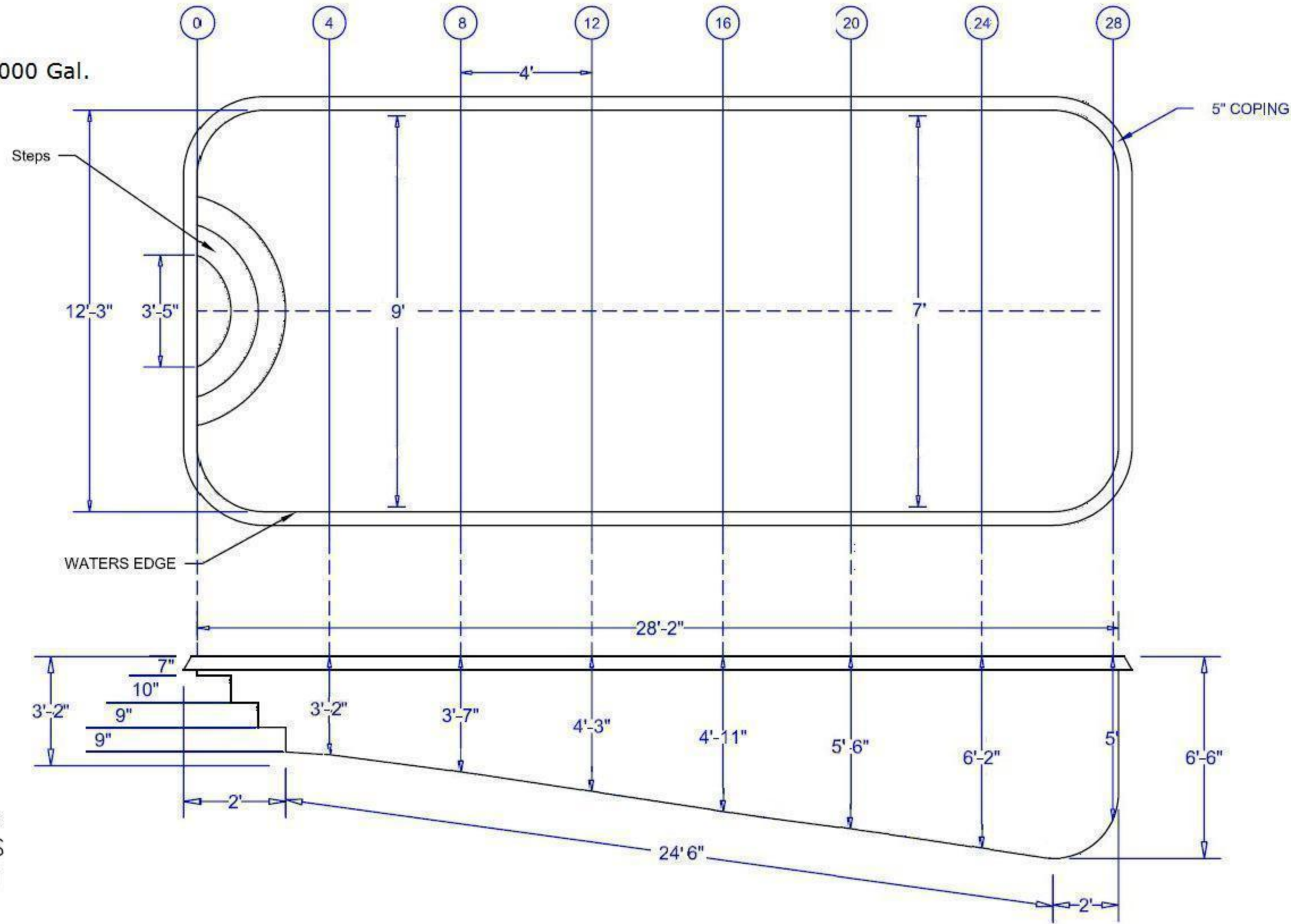


AREA: 340 SQ FT  
 PERIMETER: 86 FT  
 WATER CAPACITY: 8,000 Gal.



ALL MEASUREMENTS AND QUANTITIES ARE BASED ON AVERAGES

ALL DIMENSIONS ARE NOMINAL

ELECT. REQ. TBD

**APPROVED**

NAME: \_\_\_\_\_

DATE: \_\_\_\_\_

NOTES:

**WATER WORLD**  
 Fiberglass Pools  
 N.E., Inc.  
 700 Reading Avenue  
 Hammonton, NJ  
 08037  
 800-596-6224

ALL MEASUREMENTS TO WATERS EDGE - ADD PREFERRED OVERDIG

**DISCLAIMER**

ALL DETAILS AND SPECIFICATIONS CONTAINED IN THIS DRAWING ARE BASED ON THE LATEST PRODUCT INFORMATION AVAILABLE AT THE TIME OF THE DESIGN AND WERE BELIEVED CORRECT. HOWEVER, ACCURACY CANNOT BE GUARANTEED. WATER WORLD FIBERGLASS POOLS N.E., INC. RESERVES THE RIGHT TO MAKE CHANGES ANYTIME, WITHOUT NOTICE OR OBLIGATION, TO ALL DESIGNS OR PRODUCTS. INVESTIGATION OF ZONING CODES SHOULD BE COMPLETED BY THE CUSTOMER PRIOR TO ORDERING.

**13' x 30'**  
 FIBERGLASS POOL  
**3'2"-6'6" DEPTH**

No.	Revision	Date

Project Name

File Copy

Drawing 13x30x32-6.6

Date

Scale NOT TO SCALE